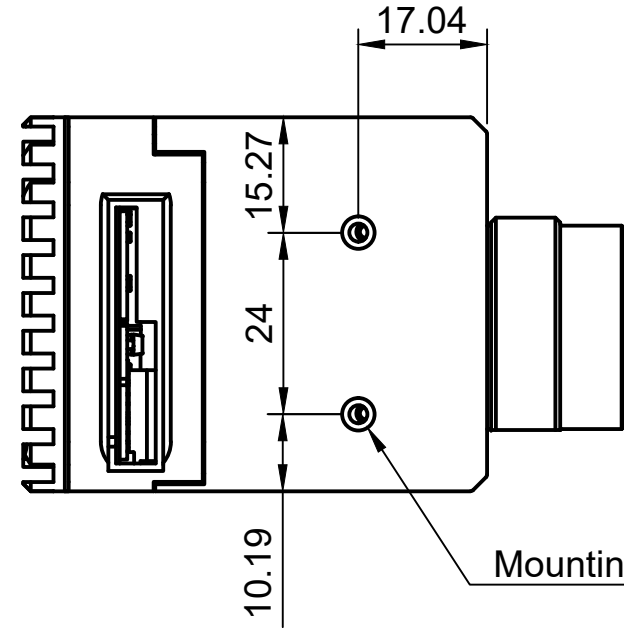
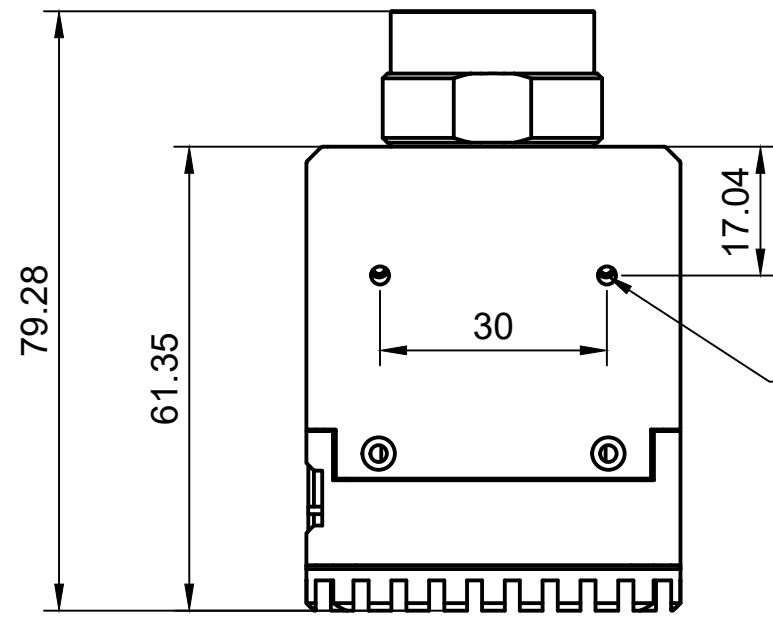


FRONT



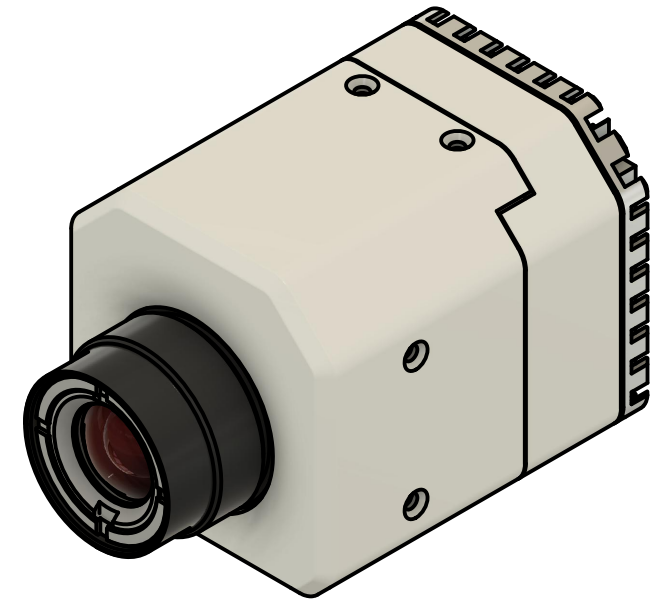
SIDE

Mounting holes 2x M2, screw-in depth 5mm



BOTTOM

Mounting holes 2x M2, screw-in depth 5mm



Dept.	Technical reference	Created by Stefan Thamke 09.07.21	Approved by
		Document type	Document status
		Title ThermalCapture IRnet	DWG No.
Rev.	Date of issue	Sheet 1/1	