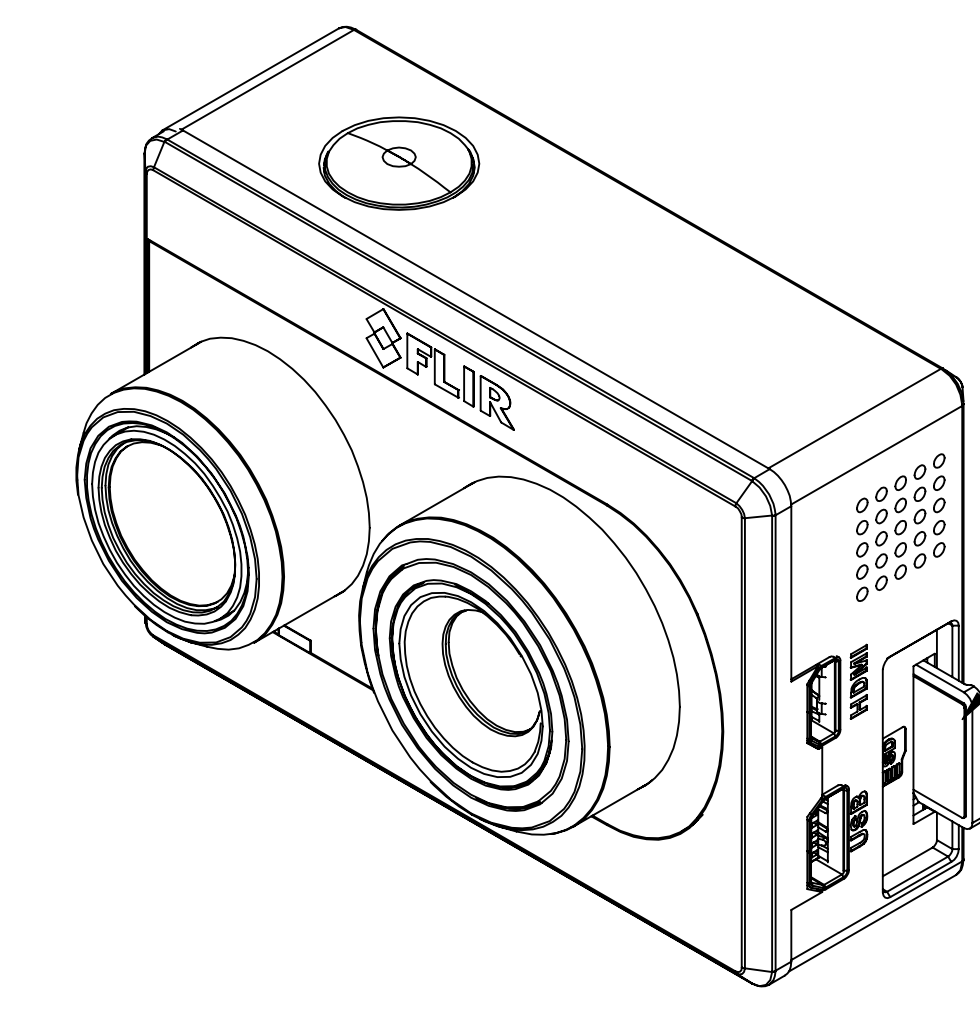
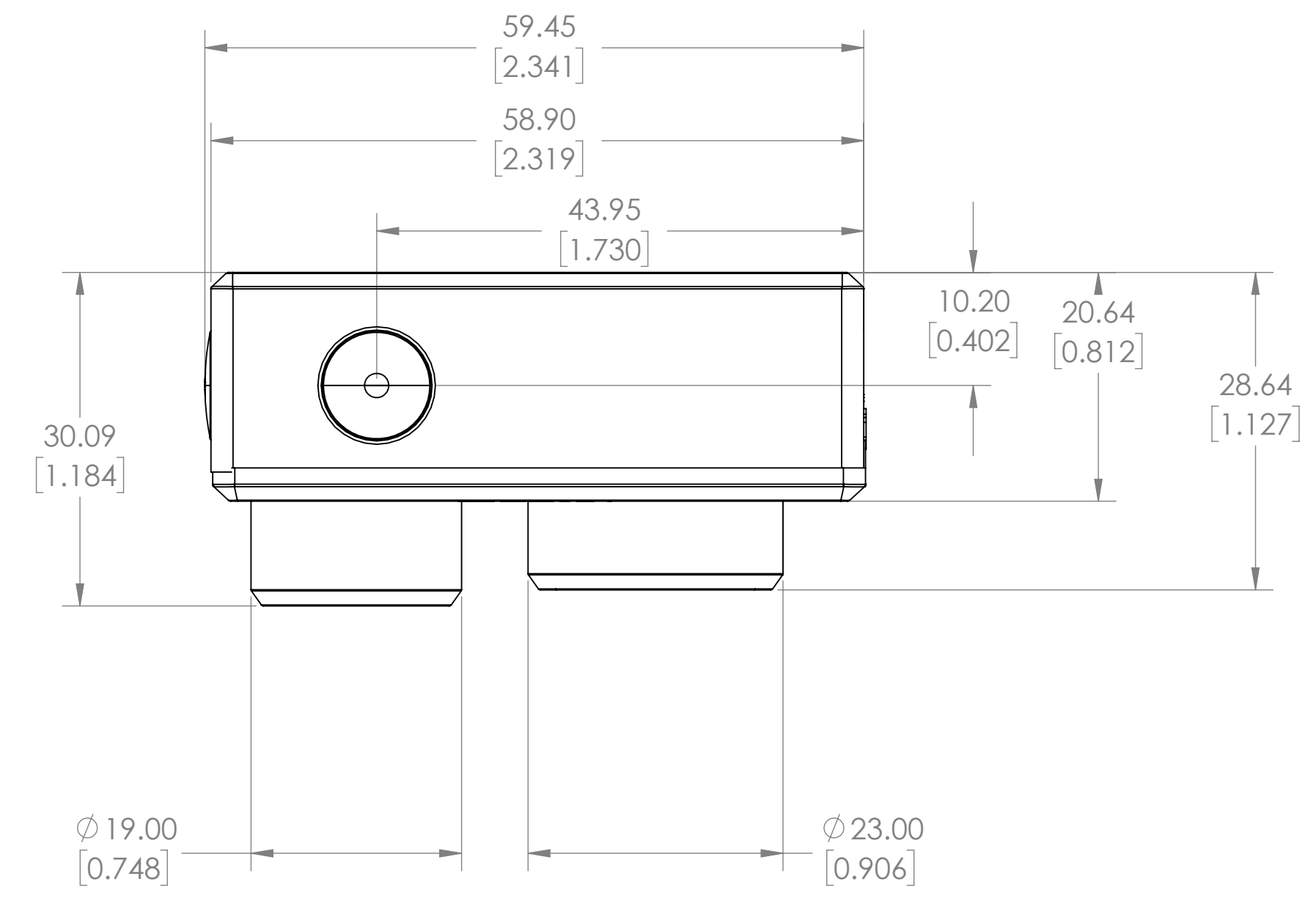
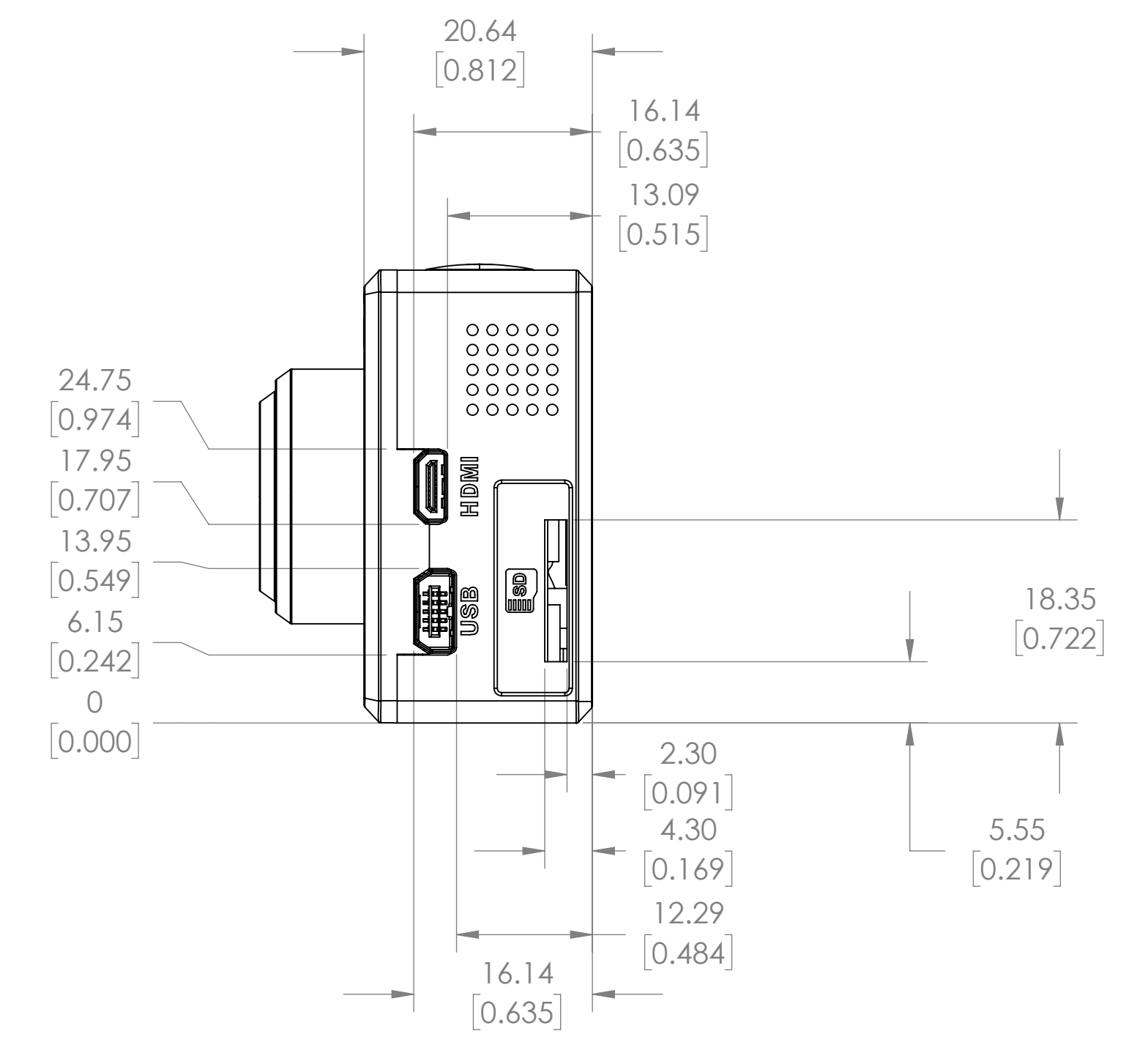
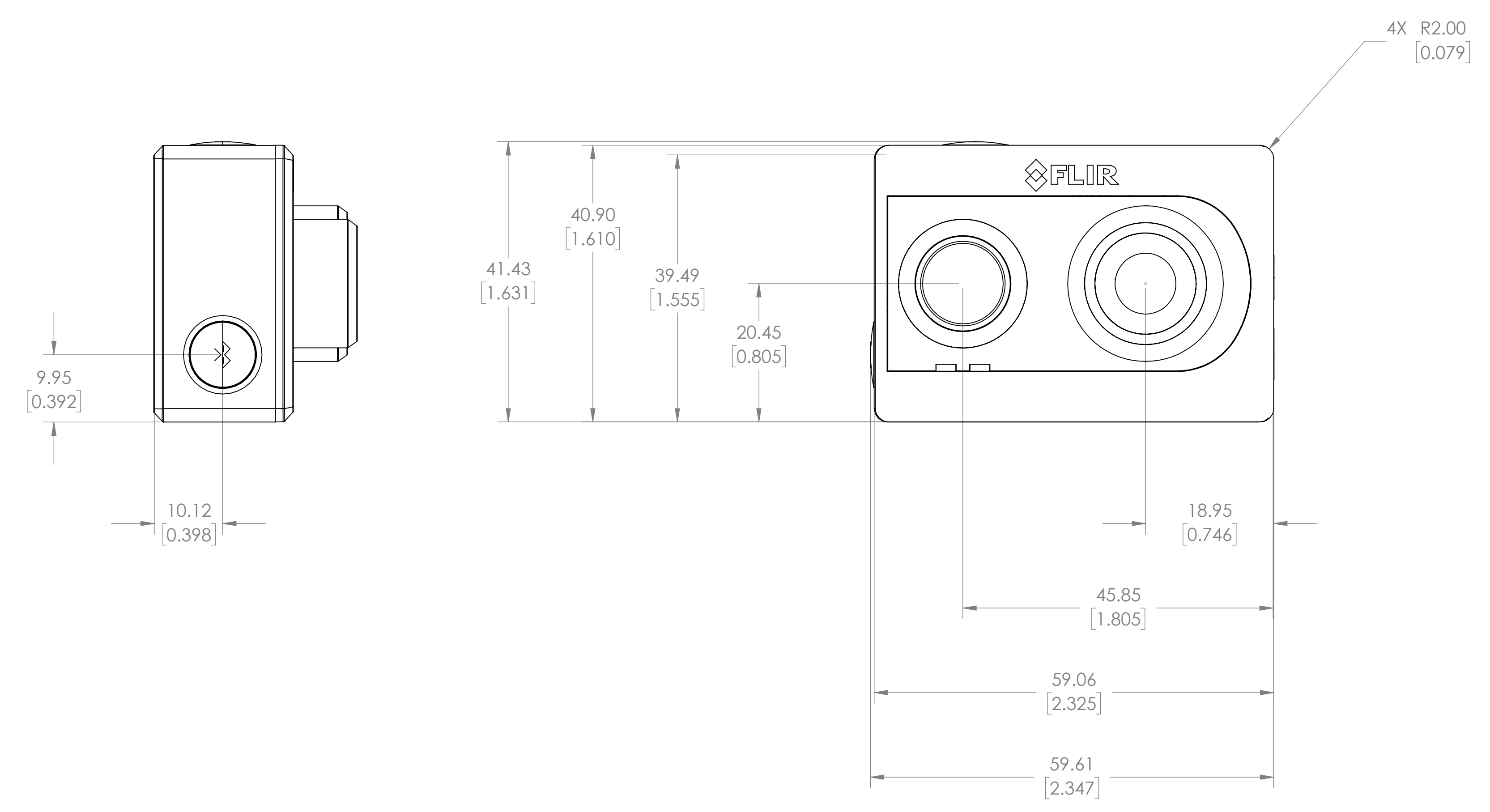


DWG NO.		SH 1	REV	REVISIONS	
ZONE	REV	DESCRIPTION		DATE	APPROVED



MicroSD Card sits flush when fully inserted. Shown here as partially-inserted for reference only



THIRD ANGLE PROJECTION		FLIR SYSTEMS, INC.			
		EAR LEVEL 1. NOT CONTROLLED FOR EXPORT PURPOSES.			
METRIC		MATERIAL		PROJECT NO.	
INTERPRET DRAWING PER ASME Y14.5M-1994 UNLESS OTHERWISE SPECIFIED SURFACE ROUGHNESS 32 X = ±.25 XX = ±.13 ANGULAR = ±.5° FILLET RADII = .13 MAX		SEE NOTE 1		APPROVALS	DATE
		SEE NOTE 2		DWN Mike Cosley	10/19/16
		UNLESS OTHERWISE SPECIFIED ALL MEASUREMENTS ARE IN MM. ALL DIMENSIONS IN () ARE INCHES. DO NOT SCALE DRAWING.		CHK KJudd	10/20/16
CALC WT: 65 GRAMS		APP KJudd		DSON KJudd	10/20/16
				ENG KJudd	10/20/16
				SCALE 2:1	PRINTED: 10/20/2016
				SHEET 1 OF 2	
				FLIR Systems, Inc. 70 Castilian Drive Goleta, CA 93117	
				FLIR Duo TITLE SIZE D CAGE 064Y2 DWG NO. 436-0100-01-00501-WC REV	
				SOLIDWORKS MODEL: finch_v1_20160712_asm MODEL REVISION:	

8

7

6

5

4

3

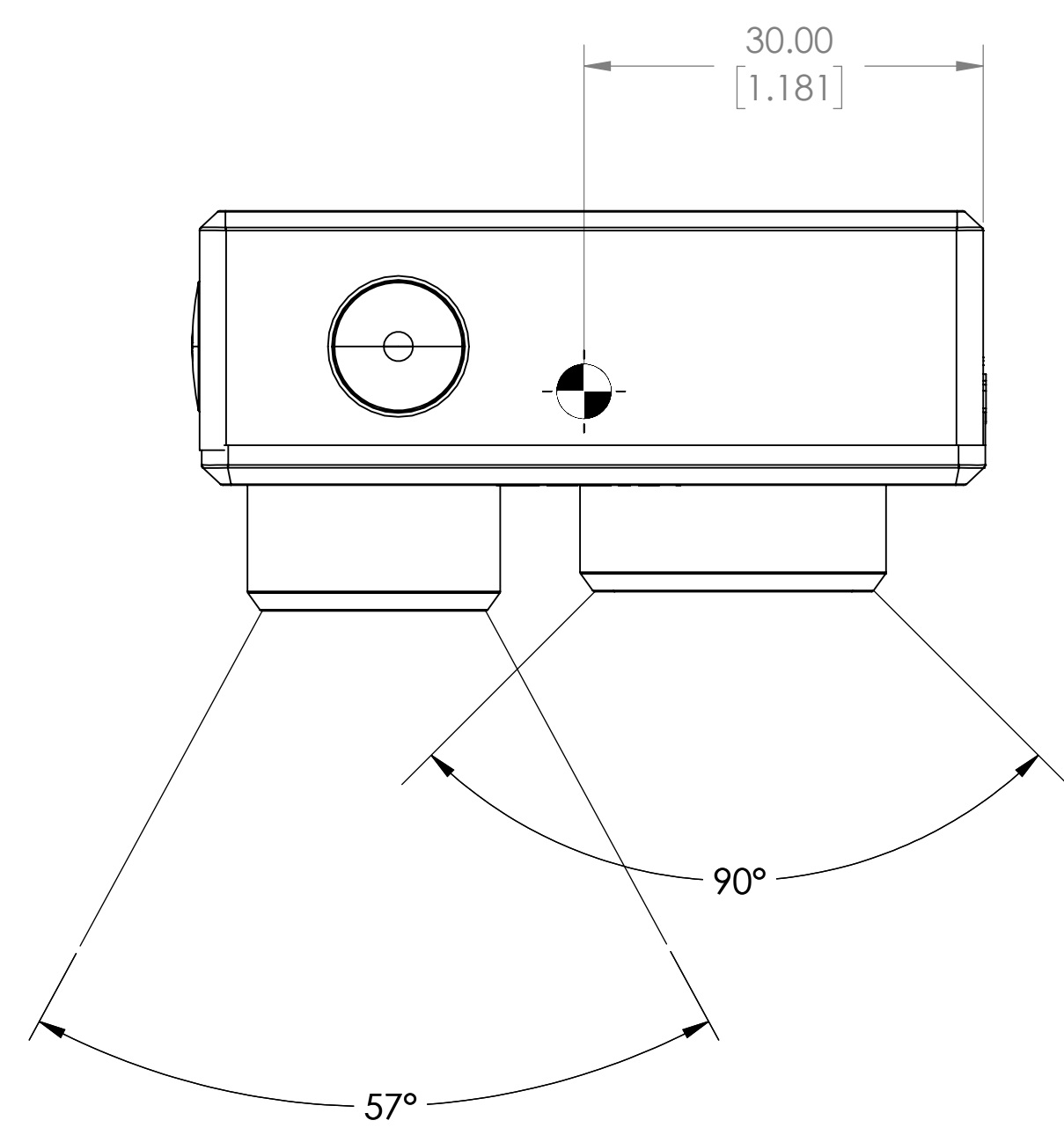
DWG NO.

SH 2 REV

1

D

D

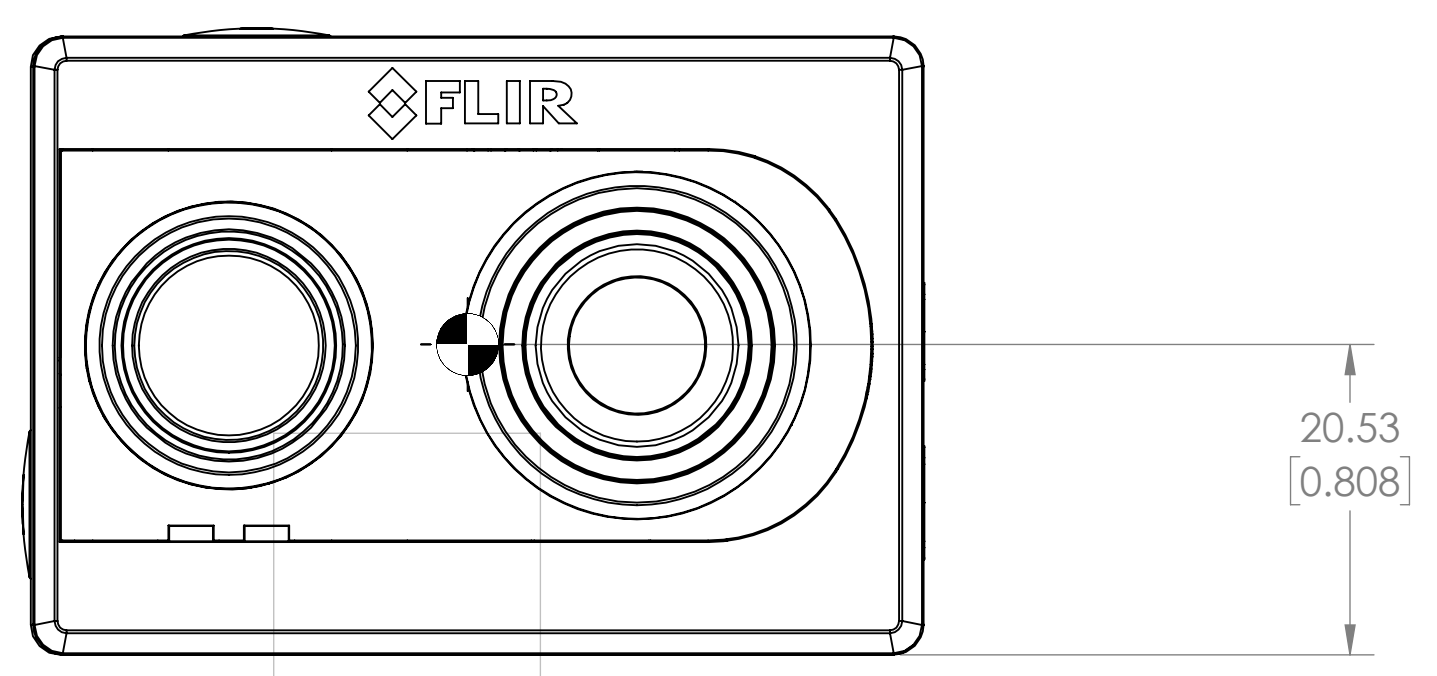


C

C

B

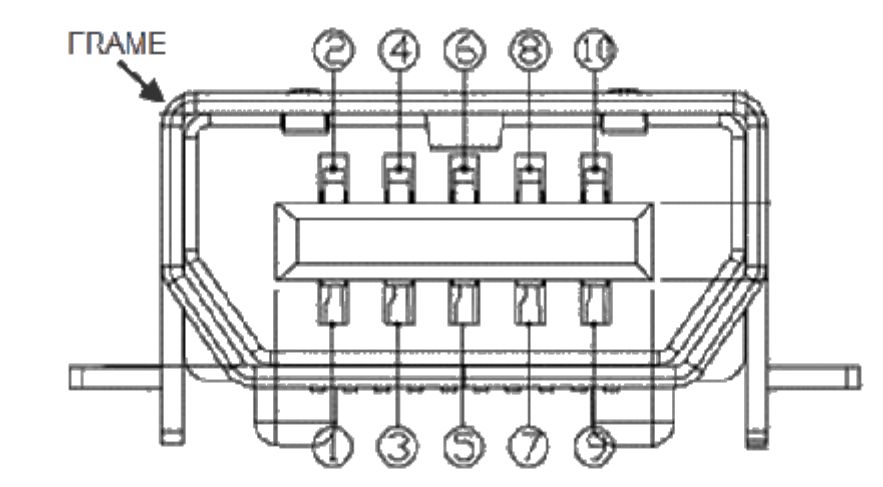
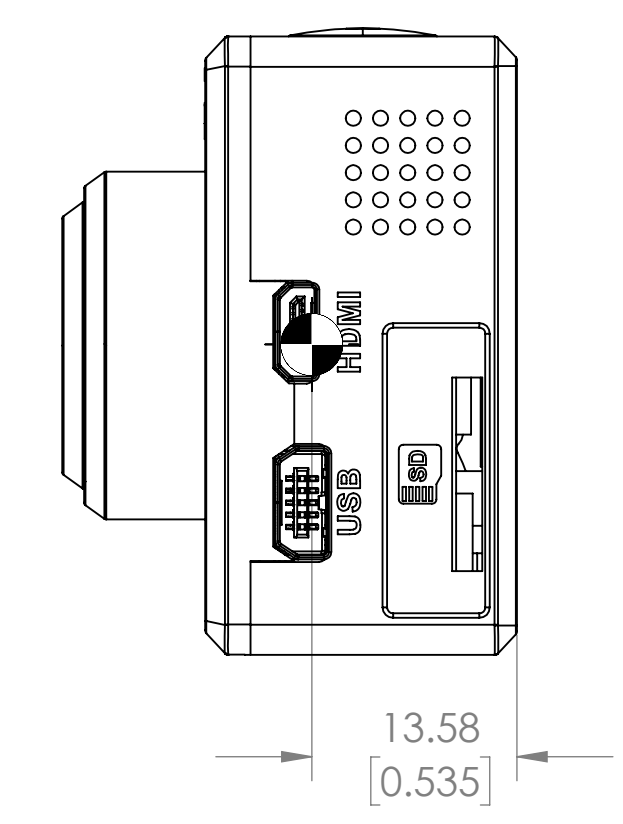
B



A

A

Bluetooth Antenna location - shielding will reduce performance



MiniUSB Port	
2	Main Power
4	Data Low
6	Data High
8	Reserved
10	Main Power GND
1	PWM_1 / MAVLink TX Out
3	PWM_2 / MAVLink RX In
5	Video Low
7	Video High
9	Reserved

DWG NO.

SH 2 REV

METRIC

FLIR SYSTEMS, INC.
EAR LEVEL 1. NOT CONTROLLED FOR EXPORT PURPOSES.



FLIR Systems, Inc.
70 Castilian Drive
Goleta, CA 93117

SIZE D CAGE 064Y2

PIECE PART.

IARI

REV P01-WC

SCALE 2:1 PRINTED: 10/20/2016 SHEET 2 OF 2

SOLIDWORKS MODEL: finch_v1_20160712_asm MODEL REVISION:

8

7

6

5

4

3

2

1