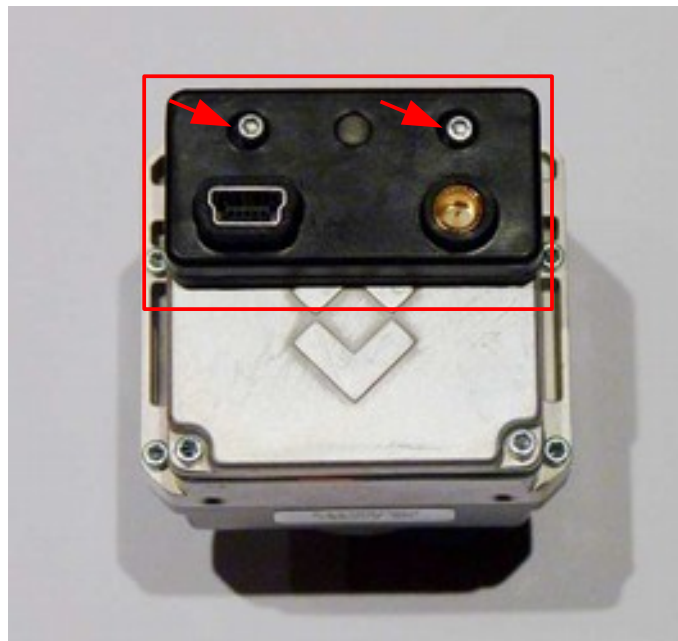


Mounting instructions for ThermalCapture 2.0

Thank you for buying our product. The following instructions will guide you through the process of mounting ThermalCapture 2.0 to a TAU core. Please read these instructions carefully before you begin.

Step 1: Remove the VPC Module

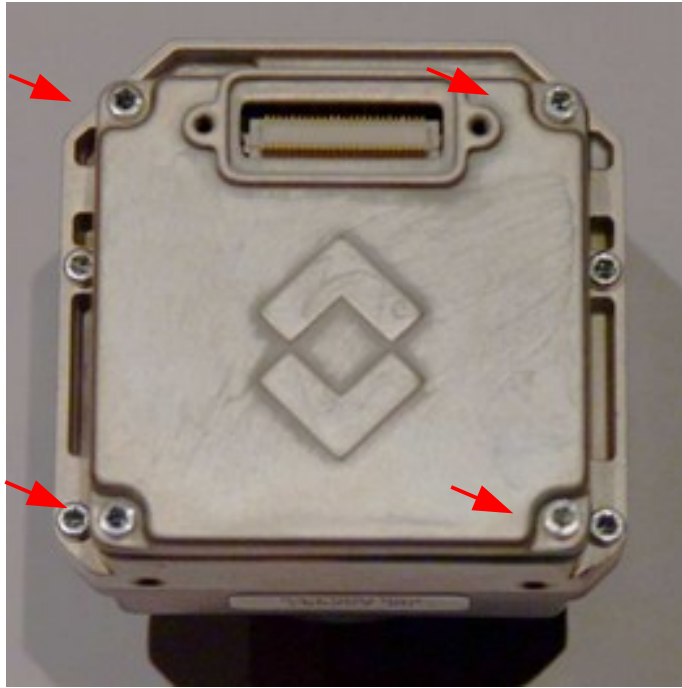
If your TAU Core has a VPC-module, please remove it by loosening the marked screws. The VPC-module and the two screws are not needed in the following process and can be put away.



Step 2: Remove the back cover

Remove the back cover by loosening the marked screws. The back cover and the four screws are not needed in the following process and can be put away.

Caution: This will also release the main-board of the Tau core. It will be kept in place only by its internal wiring. Do not apply strong forces to the main-board at this and the following step. The internal wiring pulls the main-board down at the upper side of the TAU core, so that the main-board moves a little bit up at the other side when the screws are released.



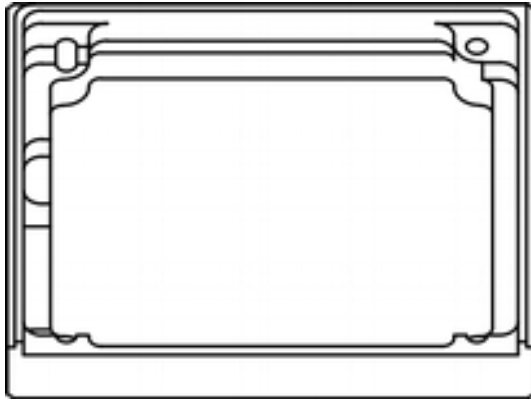
At the end of this step your TAU core should look like this:



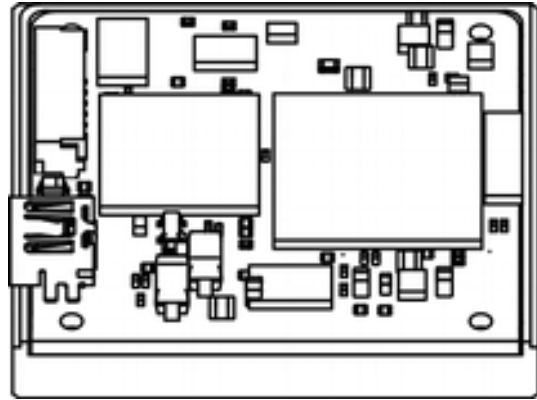
Step 3: Place the circuit board onto the base plate

Place the base plate on a flat surface and place the circuit board on it. The rounded edges should be facing away from you, such that the USB plug points to the left side.

Step 3a



Step 3b



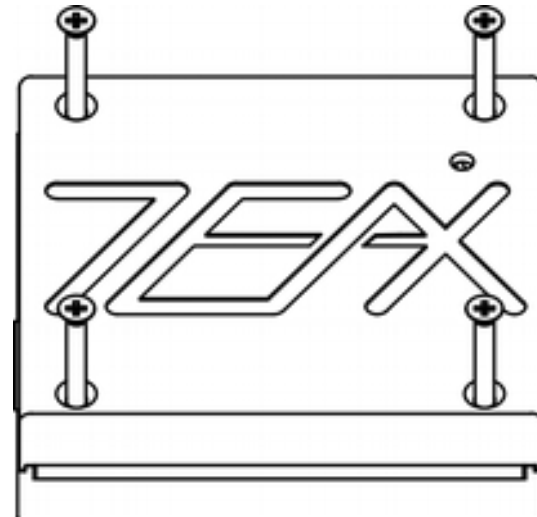
Step 4: Apply the back cover

Cover the circuit board with the back cover and place the four included M1,6x16 countersunk screws into the screw holes.

Step 4a



Step 4b



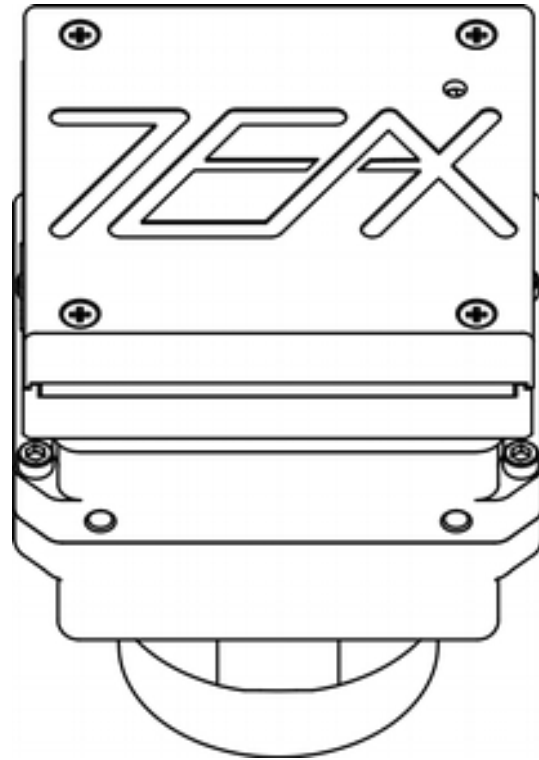
Step 5: Mount the Thermal Capture 2

Lift the assembly by holding the base plate and place it gently on the top of the FLIR Tau core. Tighten the screws carefully. Do not apply strong forces to screws.

Step 5a



Step 5b



Congratulations! You have successfully mounted ThermalCapture 2.0 to your Tau core. Please proceed with the chapters wiring and software configurations from the user guide.